

EASTERN UNIVERSITY, SRILANKA

First Year Second Semester Examination in Agriculture - 2009/2010

IT 1201 INFORMATION COMMUNICATION TECHNOLOGY (Theory)

Answer ALL Questions

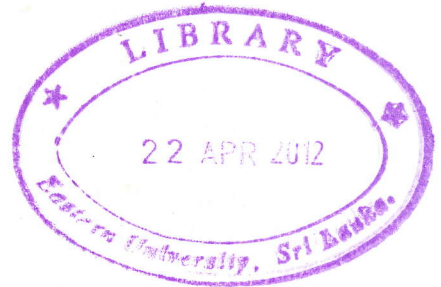
Time Allowed: 01 Hour

PART I

Choose correct answer and cross (X) down on your answer sheet

1. The brain of the computer system is

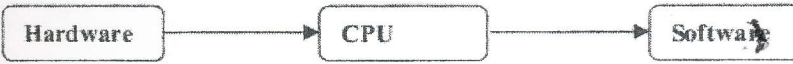



- A. Arithmetic and logical Unit (ALU)
- B. Memory.
- C. Central Processing Unit (CPU)
- D. Control Unit (CU)



2. The binary system uses powers of

- A. 2
- B. 10
- C. 8
- D. 19

3. To accomplish a task a computer has to process data in three stages. They are:

- A.  Hardware → CPU → Software
- B.  CU → Processing → Output
- C.  Input → ALU → Hardwar
- D.  Input → Processing → Output

4. UNIVAC stands for

- A. Universal Automatic Computer
- B. Universal Array Computer
- C. Unique Automatic Computer
- D. Unvalued Automatic Computer

5. The list of coded instructions is called

- A. Computer program
- B. Hardware
- C. Read Only Memory
- D. Random Access memory

6. The two kinds of main memory are:
- A. Primary and secondary
 - B. Random and sequential
 - C. ROM and RAM
 - D. None of above
7. Microprocessors as switching devices are for which generation computer
- A. First Generation
 - B. Second Generation
 - C. Third Generation
 - D. Fourth Generation
8. Which of the following are the two main components of the CPU?
- A. Control unit and storage
 - B. Control unit and output unit
 - C. Arithmetic logic unit and input unit
 - D. Arithmetic logic unit and control unit
9. The computer that process both analog and digital is called
- A. Analog computer
 - B. Digital computer
 - C. Hybrid computer
 - D. Mainframe computer
10. The octal equivalent of 111010 is
- A. 71
 - B. 82
 - C. 72
 - D. 81
11. Which statement is valid?
- A. 1KB = 1024 Bytes
 - B. 1 MB = 2048 Bytes
 - C. 1 MB = 1000 KB
 - D. 1 KB = 1000 Bytes
12. The Second Generation Computer was based on _____
- A. Vacuum Tube
 - B. Silicon Chips
 - C. Transistor
 - D. Bio Chips
13. Which one of the following is not the function of Operating System?
- A. Resource Management
 - B. File Management
 - C. Networking
 - D. Processor Management

14. Which was the computer conceived by Charles Babbage?

- A. Analytical Engine
- B. Arithmetic Machine
- C. Donald Kunth
- D. All of above



15. Mostly which of the following device is used to carry user files?

- A. Pen Drive
- B. Hard Disk
- C. RAM
- D. CDROM

16. Different components on the motherboard of a PC processor unit are linked together by sets or parallel electrical conducting lines. What are these lines called?

- A. Conductors
- B. Buses
- C. Connectors
- D. Connectively

17. What type of computer chips are said to be volatile?

- A. RAM chips
- B. ROM chips
- C. CPU
- D. Hard Disk

18. Computer Network is

- A. Collection of hardware components and computers
- B. Interconnected by communication channels
- C. Sharing of resources and information
- D. All of the Above

19. Which of the following storage devices can store maximum amount of data?

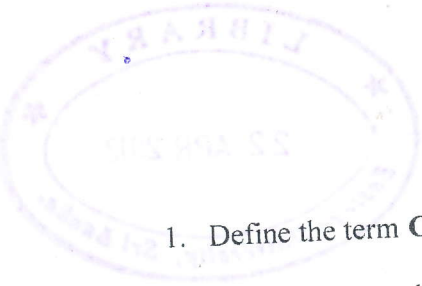
- A. Floppy Disk
- B. Hard Disk
- C. Compact Disk
- D. Digital Versatile Disk

20. WAN stands for

- A. White Area Network
- B. Wan Area Network
- C. Wide Area Network
- D. Width Area Network

(20X2= 40Marks)

PART II

- 
1. Define the term **Computer**. (5Marks)
2. What do you understand by **Data** and give four examples for data. (5Marks)
3. Name the main components of a Central Processing Unit (CPU) and briefly describe their functions. (5Marks)
4. Explain with suitable example about Analog, Digital & hybrid computer. (5Marks)
5. How is Data actually stored in a computer? (5Marks)
6. Briefly explain any three types of Secondary memory. (5Marks)
7. Convert the following in to Binary.
- A. $(128)_{10}$
 - B. $(256.64)_{10}$
 - C. $(0.25)_{10}$
- (5X3 = 15Marks)
8. Convert the following in to Octal.
- A. $(AD)_{16}$
 - B. $(0011101010111.1101)_2$
 - C. $(0.125)_{10}$ (four places)
- (5X3 = 15Marks)