



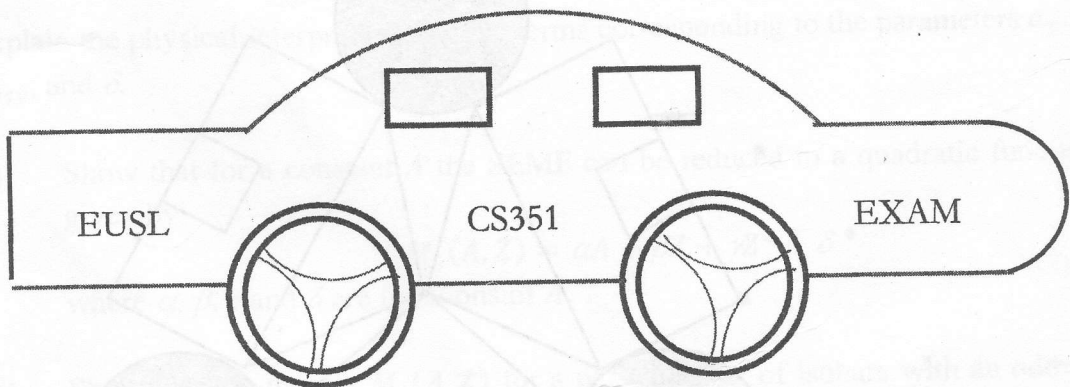
EASTERN UNIVERSITY, SRI LANKA
DEPARTMENT OF MATHEMATICS
THIRD YEAR EXAMINATION IN SCIENCE (2010/2011)
FIRST SEMESTER (Mar/April, 2013)
CS 351 PRACTICAL WORKS ON CS301

PROPER

Answer all Questions

Time: 2 Hours

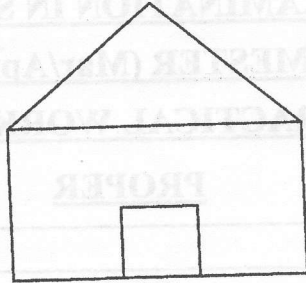
1. Draw the following car using DDA Line drawing and Midpoint circle Algorithms;



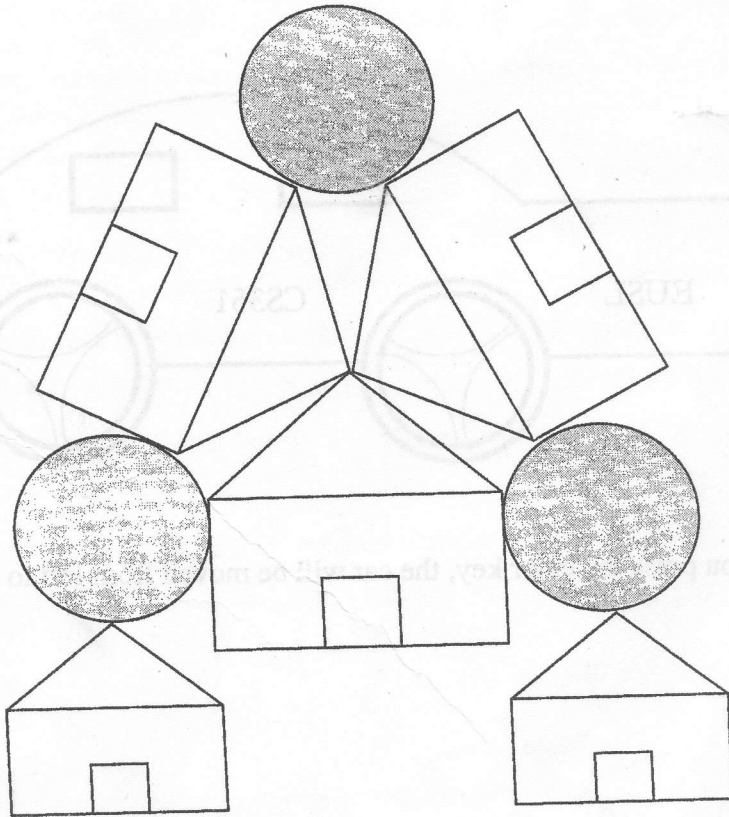
(If you press the enter key, the car will be moved from left to right direction)

[50 Marks]

2. i) Using DDA line drawing algorithm constructs a picture as given below.



- ii) Apply 2D transformation to draw the picture given as below.



[50 Marks]